

Cooper Bussmann

[Homepage](#)
[About Cooper Bussmann](#)
[Contact Us](#)
[Privacy](#)
[Legal](#)
[Cooper Bussmann® Brand](#)
[Site Map](#)

GMC-6A

Medium Time Delay, 5 X 20 mm, Glass Tube Fuse

Product Information

| | |
|-----------------|-----------------|
| Product Type: | Fuse |
| Product Family: | Electronic |
| Brand: | Cooper Bussmann |

Recommended Products

| | |
|-------------------------------|-------------------------------|
| Rec. Fuse Block: | HTC-15M |
| Rec. Inline Fuse Holder: | HHT |
| Rec. Panel-mount Fuse Holder: | HTB Series |
| Rec. Fuse Clips: | 1A3399 Series |

Physical Properties

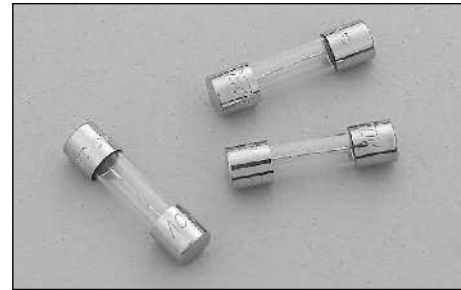
| | |
|-------------|-----------------------------------|
| Dimensions: | 0.79in.(L) × 0.19in.(W) × 0in.(H) |
|-------------|-----------------------------------|

Electrical Properties

| | |
|---------------------------|---|
| Maximum AC Voltage: | 125 |
| Amperage Rating: | 6 |
| AC Interrupting Ratings: | <ul style="list-style-type: none"> • 10000 at 125V |
| Melting I ² T: | 88 |
| Time Delay: | Yes |
| Resistance: | 0.013 |
| Voltage Drop: | 120 |

Description

- Medium time delay, low breaking capacity
- Optional axial leads available
- 5mm x 20mm physical size
- Glass tube, nickel-plated brass endcap construction
- Designed to UL/CSA 248-14



| ELECTRICAL CHARACTERISTICS | | |
|----------------------------|-----------------|--------------------|
| Rated Current | % of Amp Rating | Opening Time |
| 63mA - 10A | 100% | None |
| | 135% | 60 minutes maximum |
| | 200% | 2 minutes maximum |

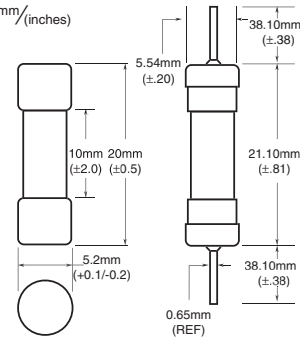
Agency Information

- UL Listed, Guide JDYX, File E19180, 63mA-6.3A
- UL Recognized Card: (7A-10A) Guide JDYX2, File E19180
- CSA Certified, Class 1422-01, File E65063, 63mA-6.3A
- MITI Approval, 1A-10A
- CCC Approval, 500mA-6.3A

Ordering

- Specify packaging, product, and option code
- For -R option, drop mA or A from product code (i.e. GMC-2-R)

Dimensions mm/(inches)

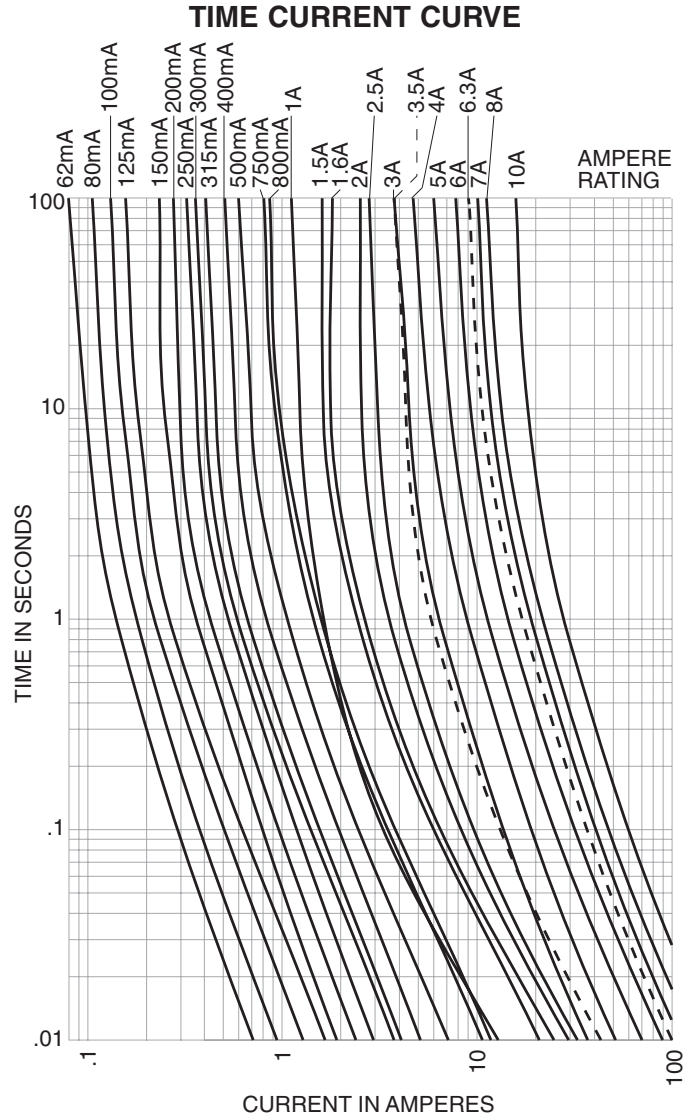


- Ratings above 6.3A have a 0.8mm diameter lead
- With TR2 packaging code, lead wire length is 19.05mm

SPECIFICATIONS

| Product Code | Voltage Rating AC | AC Interrupting Rating* | | Typical DC Cold Resistance (ohms)** | Typical Pre-Arc I [†] t | Maximum Voltage Drop (mV)‡ |
|--------------|-------------------|-------------------------|---------|-------------------------------------|----------------------------------|----------------------------|
| | | 250V | 125V | | | |
| GMC-63mA | 250V | 35A | 10,000A | 10.350 | 0.0027 | 1400 |
| GMC-80mA | 250V | 35A | 10,000A | - | 0.0050 | 1400 |
| GMC-100mA | 250V | 35A | 10,000A | 4.775 | 0.0094 | 1200 |
| GMC-125mA | 250V | 35A | 10,000A | 3.400 | 0.014 | 1000 |
| GMC-150mA | 250V | 35A | 10,000A | 2.555 | 0.022 | 800 |
| GMC-160mA | 250V | 35A | 10,000A | 2.295 | 0.022 | 730 |
| GMC-200mA | 250V | 35A | 10,000A | 1.395 | 0.032 | 650 |
| GMC-250mA | 250V | 35A | 10,000A | 0.965 | 0.046 | 490 |
| GMC-300mA | 250V | 35A | 10,000A | 0.838 | 0.081 | 580 |
| GMC-315mA | 250V | 35A | 10,000A | 0.685 | 0.081 | 480 |
| GMC-400mA | 250V | 35A | 10,000A | 0.615 | 0.18 | 510 |
| GMC-500mA | 250V | 35A | 10,000A | 0.335 | 0.41 | 370 |
| GMC-600mA | 250V | 35A | 10,000A | 0.282 | 0.60 | 360 |
| GMC-630mA | 250V | 35A | 10,000A | 0.246 | 0.66 | 360 |
| GMC-700mA | 250V | 35A | 10,000A | 0.213 | 0.85 | 340 |
| GMC-750mA | 250V | 35A | 10,000A | 0.213 | 0.85 | 320 |
| GMC-800mA | 250V | 35A | 10,000A | 0.180 | 0.85 | 290 |
| GMC-1A | 250V | 35A | 10,000A | 0.156 | 1.8 | 250 |
| GMC-1.25A | 250V | 100A | 10,000A | 0.098 | 3.4 | 200 |
| GMC-1.5A | 250V | 100A | 10,000A | 0.076 | 5.4 | 190 |
| GMC-1.6A | 250V | 100A | 10,000A | 0.067 | 5.8 | 160 |
| GMC-2A | 250V | 100A | 10,000A | 0.043 | 8.9 | 130 |
| GMC-2.5A | 250V | 100A | 10,000A | 0.035 | 13 | 130 |
| GMC-3A | 250V | 100A | 10,000A | 0.026 | 19 | 130 |
| GMC-3.15A | 250V | 100A | 10,000A | 0.025 | 23 | 130 |
| GMC-3.5A | 125V | - | 10,000A | 0.022 | 25 | 130 |
| GMC-4A | 125V | - | 10,000A | 0.019 | 36 | 120 |
| GMC-5A | 125V | - | 10,000A | 0.014 | 58 | 120 |
| GMC-6A | 125V | - | 10,000A | 0.013 | 88 | 120 |
| GMC-6.3A | 125V | - | 10,000A | 0.012 | 110 | 120 |
| GMC-7A | 125V | - | 200A | 0.012 | 150 | 120 |
| GMC-8A | 125V | - | 200A | 0.009 | 200 | 110 |
| GMC-10A | 125V | - | 200A | 0.007 | 300 | 110 |

* Interrupting ratings: Interrupting ratings for 63mA - 6.3A were measured at 70% - 80% power factor on AC. The interrupting ratings for 7A - 10A were measured at 100% power factor on AC.
 ** DC Cold Resistance (Measured at <10% of rated current)
 † Typical Pre-Arching I[†]t (I[†]t was measured at listed interrupting rating and rated voltage)
 ‡ Maximum Voltage drop (Voltage drop was measured at 20°C ambient temperature at rated current)



| PACKAGING CODE | |
|-----------------------|---|
| Packaging Code | Description |
| BK | 100 pieces of fuses packed into a cardboard carton |
| BK1 | 1,000 pieces of fuses packed into a poly bag |
| TR2 | 1,500 pieces of fuses packed into tape on a reel (19.05mm lead wire length) |

| OPTION CODE | |
|--------------------|--|
| Option Code | Description |
| V | Axial leads - copper tinned wire with nickel plated brass overcaps |
| -R | RoHS compliant version |